

# TRANSFORMERS

DARK OF THE MOON™

AGES 5+

29732/28738 ASST.

AUTOBOT®

INTERMEDIATE

MUDFLAP®

LEVEL: 1 2 3

NOTE: Some parts are made to detach if excessive force is applied and are designed to be reattached if separation occurs. Adult supervision may be necessary for younger children.



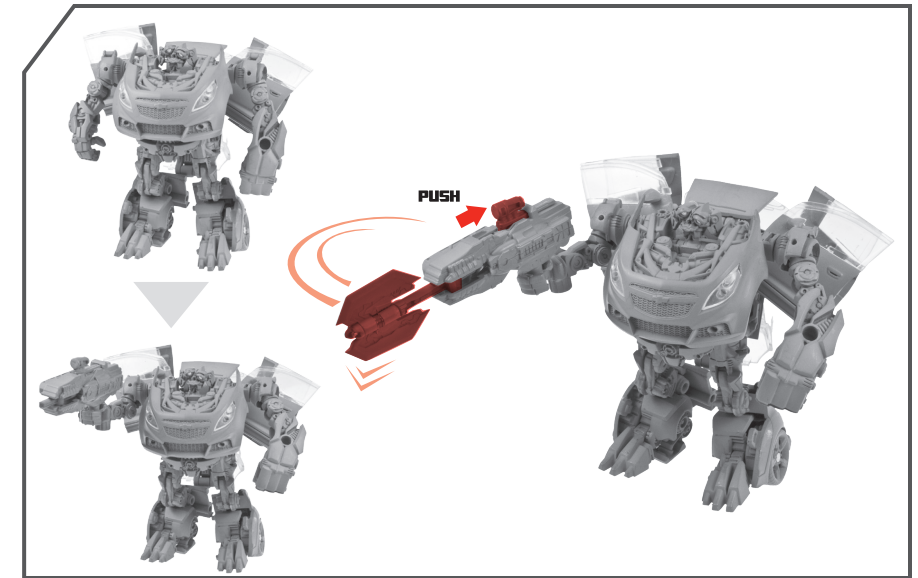
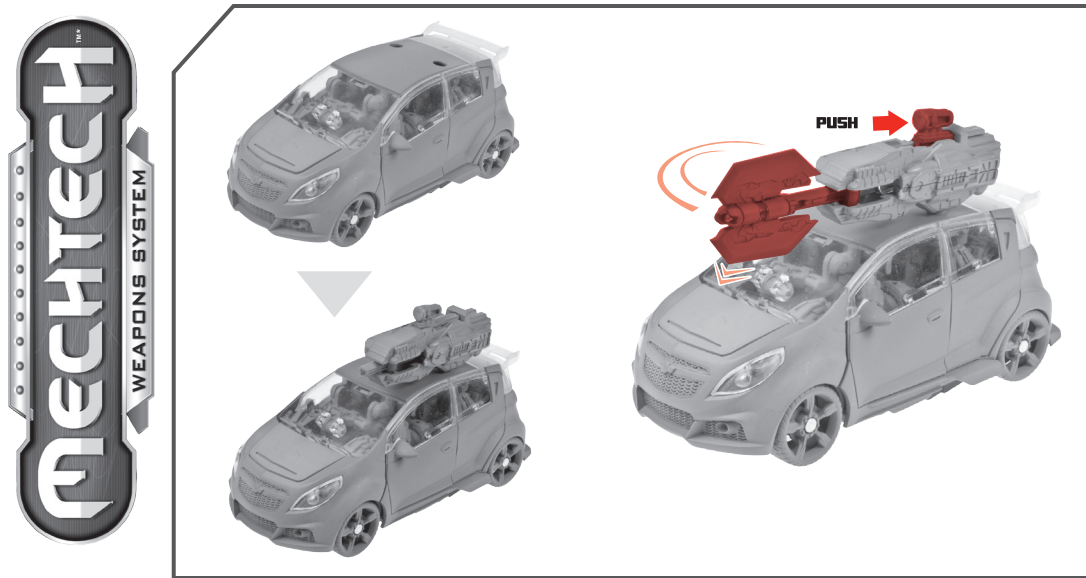
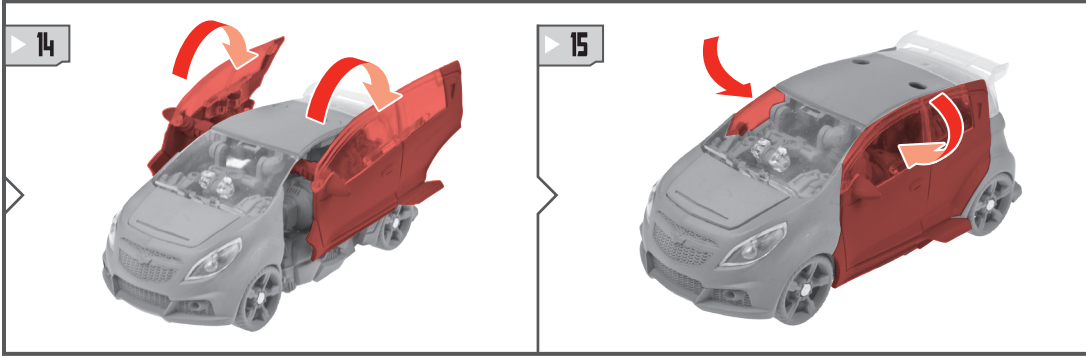
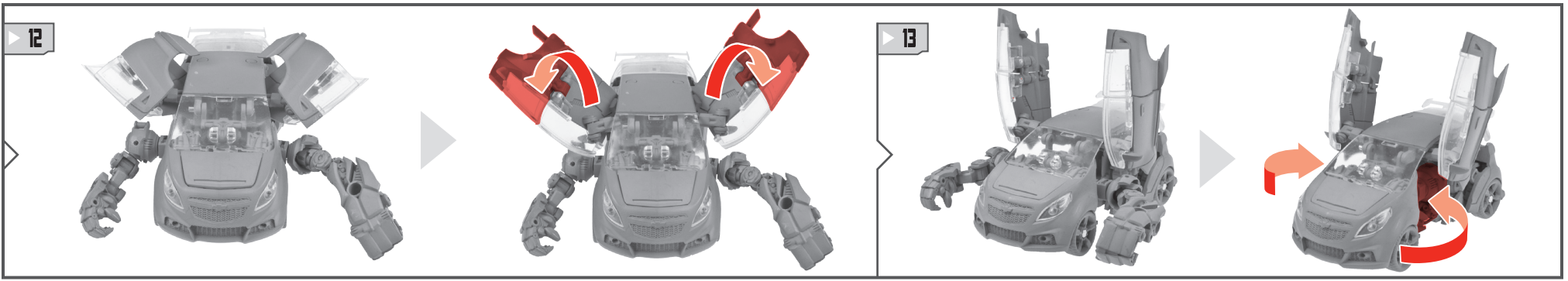
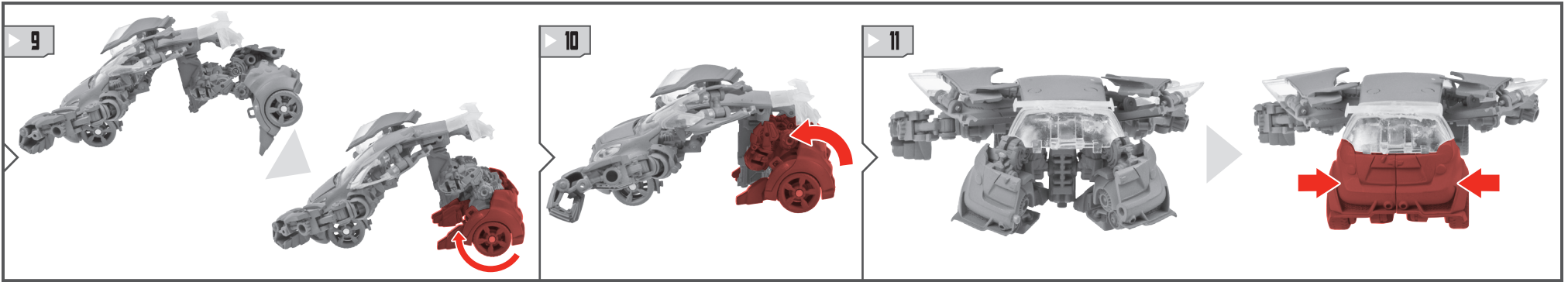
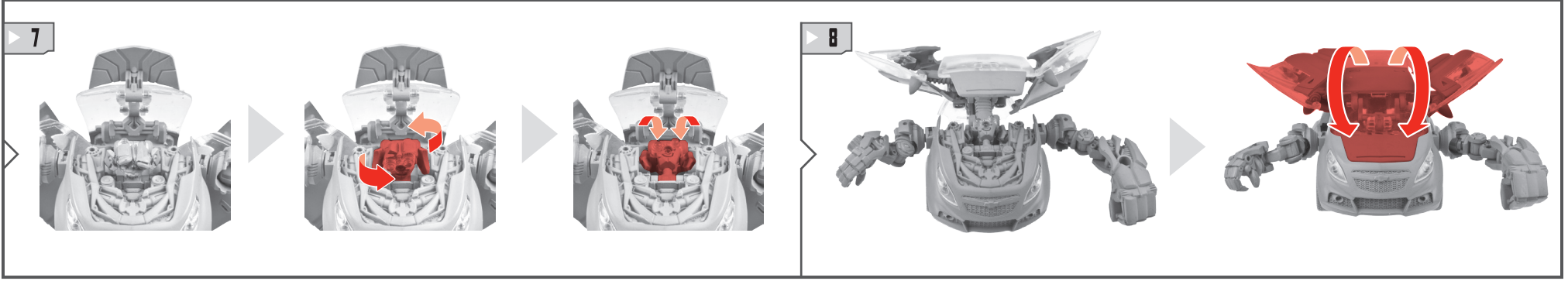
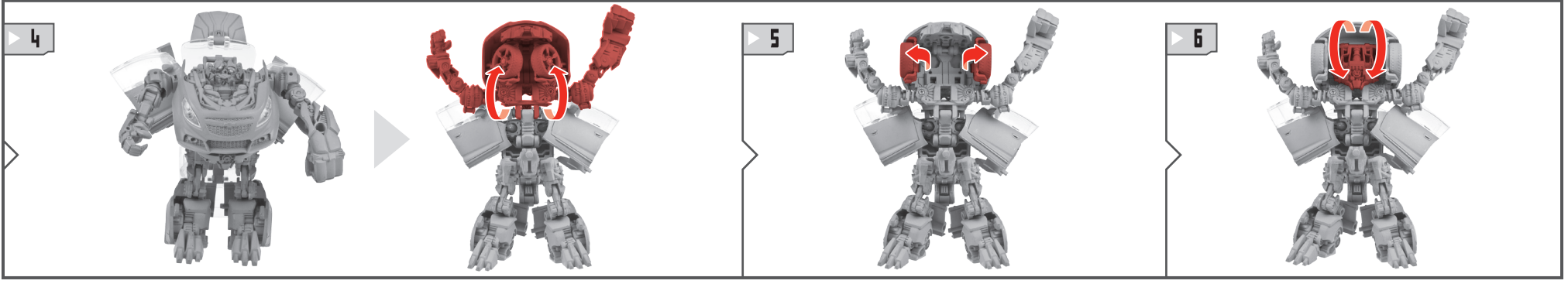
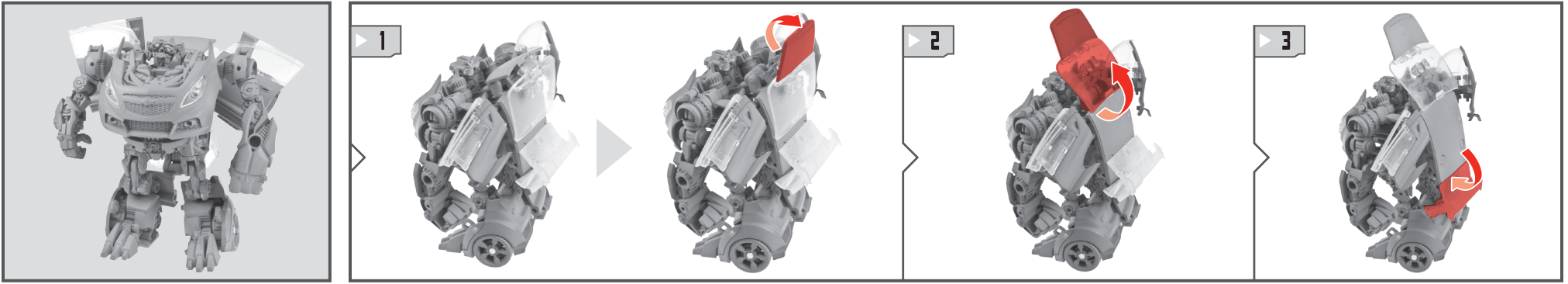
## CHANGING TO ROBOT

14-step instruction sequence for transforming Mudflap from car mode to robot mode. Red arrows indicate the direction of movement for each step.

- Step 1: Open the rear hatch.
- Step 2: Fold down the rear seat.
- Step 3: Attach the rear wheel covers.
- Step 4: Attach the rear fenders.
- Step 5: Attach the front wheel covers.
- Step 6: Attach the front fenders.
- Step 7: Attach the front wheel covers.
- Step 8: Attach the front fenders.
- Step 9: Attach the front wheel covers.
- Step 10: Attach the front fenders.
- Step 11: Attach the front wheel covers.
- Step 12: Attach the front fenders.
- Step 13: Attach the front wheel covers.
- Step 14: Attach the front fenders.

**ROBOT MODE**





**MECHTECH**  
WEAPONS SYSTEM

Retain instructions for future reference.

Product and colors may vary. Some poses may require hand support.  
© 2010 Paramount Pictures Corporation.  
Manufactured under license from TOMY Company, Ltd.  
® and/or TM\* & © 2010 Hasbro. All Rights Reserved. TM & © denote U.S. Trademarks.



Chevy Spark and all related Emblems and body designs are General Motors Trademarks used under license to Hasbro, Inc.

P/N 7146540000

[TRANSFORMERS.COM/INSTRUCTIONS](http://TRANSFORMERS.COM/INSTRUCTIONS)